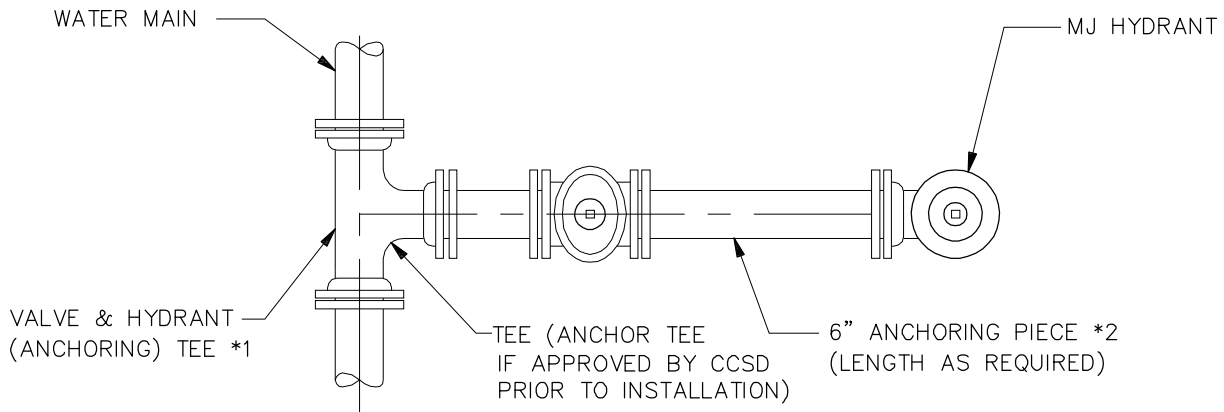
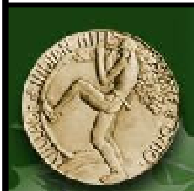


CURBED ROADWAYS



- *1. ALTERNATE: MJTEE AND ANCHORING COUPLING
- *2. ALTERNATE: PLAIN END PIPE AND "MEGALUG" RETAINER GLANDS

HYDRANT PERPENDICULAR TO THE MAIN



VILLAGE OF INDIAN HILL
DEPARTMENT OF WATER WORKS

APPROVED *[Signature]*
DATE November 2011

STANDARD
HYDRANT SETTINGS

DRAWING NO.

WW-123